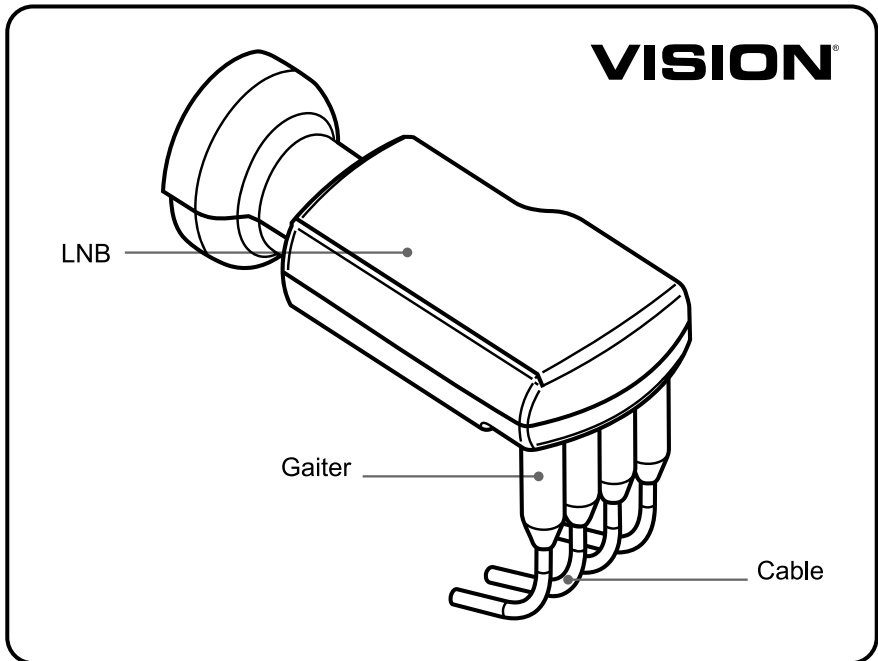


Vision V5-400QT Quatro LNB for IRS Installation



The V5-400QT is a high quality Quatro LNB designed for professional IRS installations and has a guaranteed low noise performance and pre-emphasised gain slope. In the UK it is recommended that a minimum 80cm satellite dish is used for multi-point IRS installations for high Carrier-to-Noise ratio to ensure reliable performance in poor weather.

1. To get the best from this LNB mount securely in the 40mm clamp of the LNB bracket on the dish. This LNB is suitable for offset dishes only
2. Using a spectrum analyser align the dish to the satellite by maximising the signal level in both elevation and azimuth adjustments.
3. Continuing to use the spectrum analyser, check the LNB “skew” adjustment by rotating the LNB in the LNB holder until the viewed polarity is at a maximum signal level and the opposing polarity is at a minimum signal level.
4. Lock-off all adjustment settings on the dish and LNB holder.
5. Slide the weatherproof sealing sleeves over the F connectors.
6. Secure the cables to the dish LNB arm with insulating tape or nylon ties, ensuring that the cables under the LNB outputs form a drip loop without straining the cable sleeves or connectors.
7. Connect to the headend of the IRS installation and power any single output at 9V to 19V DC. V5 IRS equipment powers at 18V via the H Lo and H Hi cables.

V5-400QT Specification:-

Input frequency

Low band	10.7 – 11.7GHz
High band	11.7 – 12.75 GHz

Noise figure 0.3dB typical

Gain	50 – 60dB
26MHz bandwidth	<±0.5dB
Low band	<5dB
High band	<5dB

Output gain differential in 26MHz band between outputs <6dB

Isolation

Cross Polar	>30dB
High/Low band	>30dB

LO frequency

Low band	9.75GHz
High band	10.6GHz

LO Phase Noise

1KHz	-65dBc/Hz
10KHz	-95dBc/Hz
100KHz	-100dBc/Hz

LO Drift ±1MHz typical

Power 9V – 18V DC
185mA at 18V

For further information:-

Email technical@vision-products.co.uk

Tel: 0845 017 1010

www-vision-products.co.uk

VISION[®]